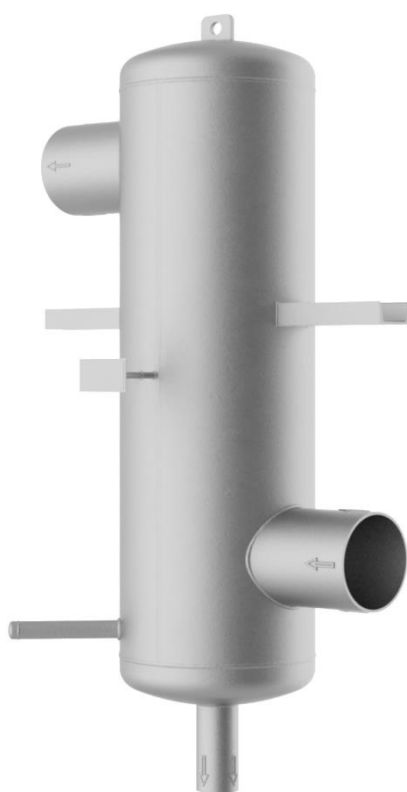


HAD

High-performance separator



HAD – High-performance separator

The HAD is a highly efficient compact separator, which can be integrated and flexibly used in almost any piping system due to its vertical design.

It offers you reliable, very effective droplet separation and increases the efficiency of your compressors and thus of the entire refrigeration system.

The HAD can separate up to 20.000 ppm (2% of mass flow) of liquid refrigerant.

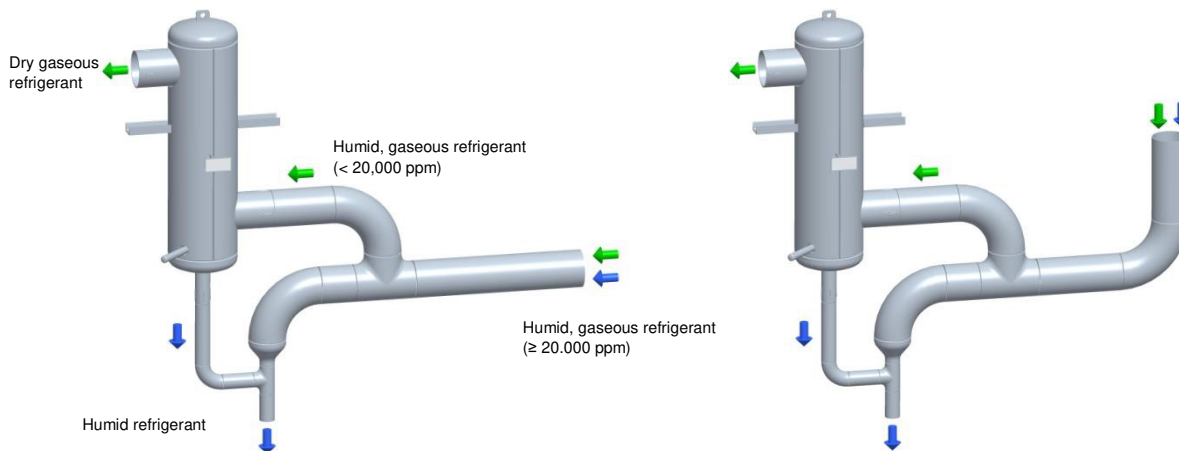
Thus, the HAD offers you an effective alternative as a:

- ✳ **Compact and cost-effective system extension**
- ✳ **Simple remedy in case of insufficient separation**
- ✳ **Economiser in systems with screw compressors**
- ✳ **reliable secondary separation for direct expansion systems**



Pipeline routing

From a liquid portion of refrigerant of 20.000ppm in the suction line upstream of the HAD, multiple deflection of the gas flow is absolutely necessary. This increases the separation of the liquid components and ensures a dry suction line to the compressor!



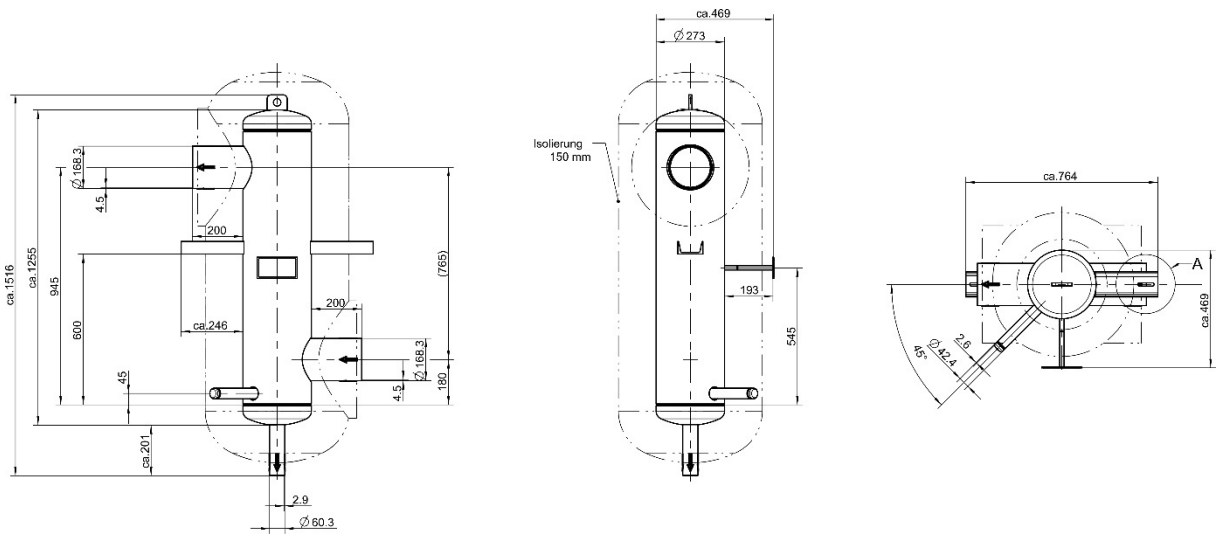
Available capacities and technical data

	Weight [kg]	PN _{MAX} [bar]	Capacity [kW]*	Capacity [kW]**	List price [EUR]
HAD 250	100	40	650	320	4.800
HAD 400	200	40	1.400	690	7.900
HAD 550	320	25	3.000	1.460	13.800

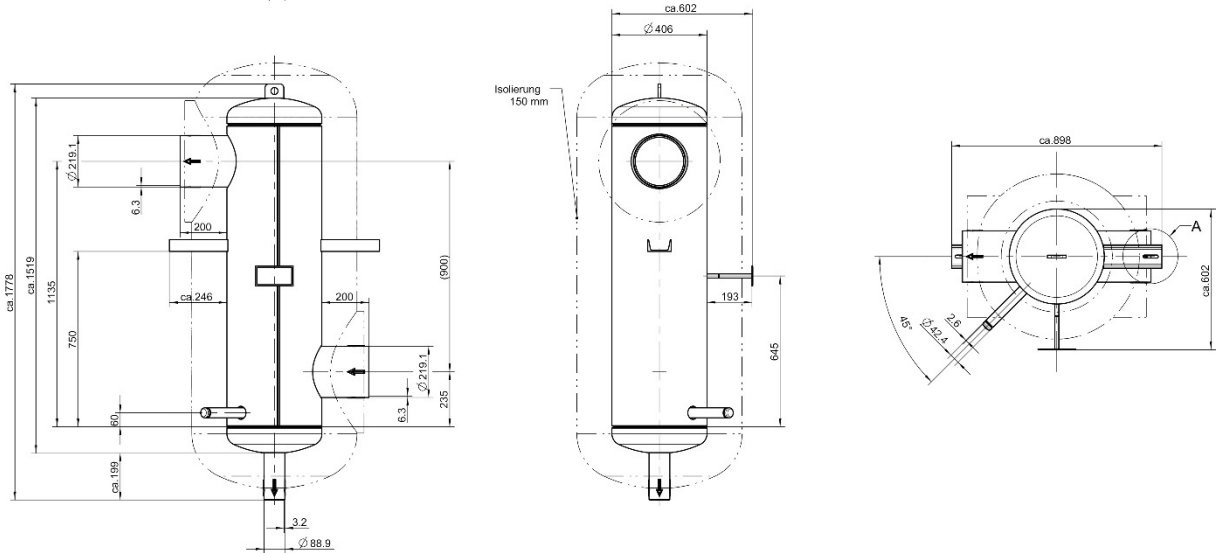
* NH₃ T₀=-10°C T_c=+35°C | **NH₃ T₀=-40°C T_c=+35°C

Dimensions

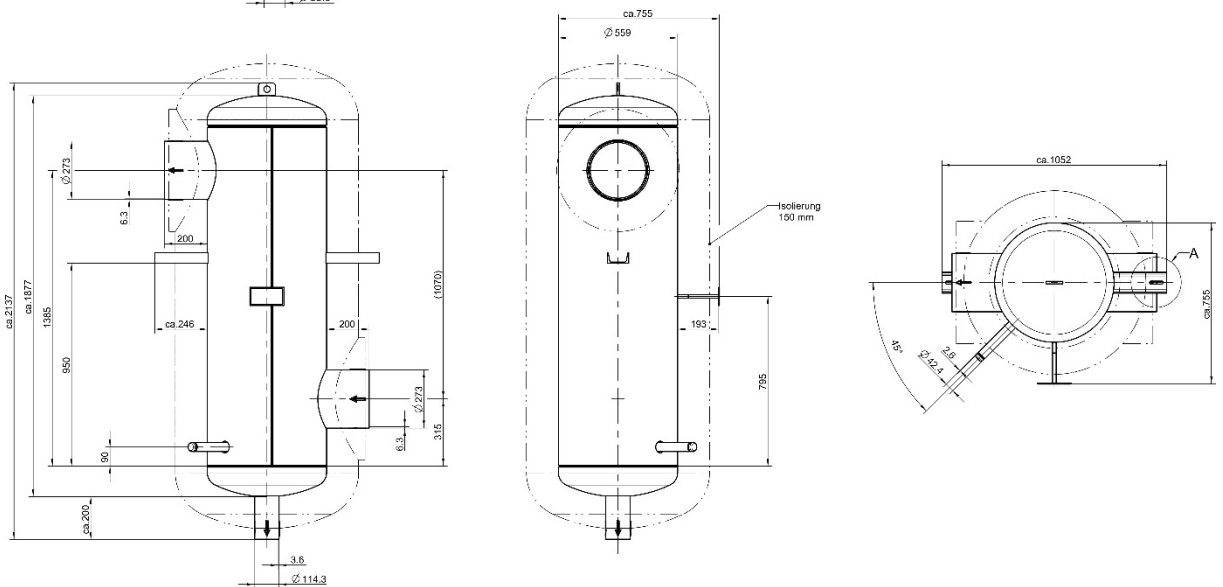
HAD 250



HAD 400



HAD 550



all figures in mm



TH. WITT Kältemaschinenfabrik GmbH

Lukasstraße 32

52070 Aachen | Germany

+49 241 18208-0 | sales@th-witt.com